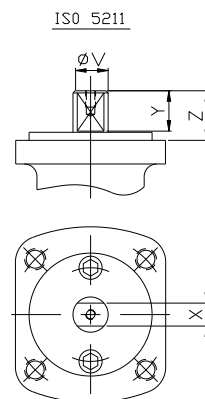
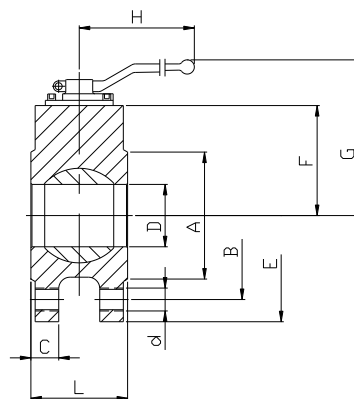
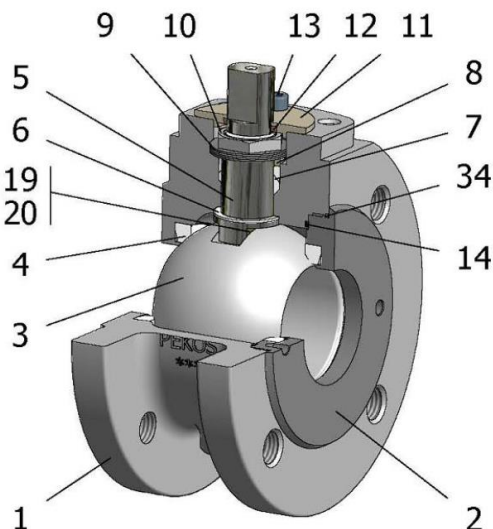


FIG. 96 TTTV PN16 DN15/100



Position	Description	Material
01	Body 1	S.S. 1.4408
02	Body 2	S.S. 1.4401
03	Ball	S.S. 1.4408
04	Seat	PTFE (modified)
05	Stem	S.S. 1.4401
06	Stem seal	PTFE (modified)+FG
07	Stem packing	PTFE (modified)
08	Gland packing	S.S. 1.4401
09	Spring washer	S.S. 1.4310
10	Stem nut	S.S. 1.4305
11	Cover	S.S. 1.4408
12	Cover ring	PTFE (modified)
13	Cover bolt	A4-70
14	Body seal 1	PTFE (modified)
16	Handle	WCB
17	Handle bolt	1.045(8.8)
19	Spring	S.S. 1.4401
20	Antistatic ball	S.S. 1.4401
34	Body seal 2	FKM

General features

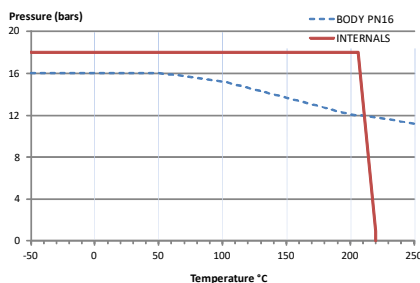
- Floating ball.
- End entry.
- Full bore.
- Soft seat.
- Bidirectional.
- Anti Blow out proof stem.
- Autoadjustable packing.
- Anti static device.
- Self-cavity pressure relief.

Standards

- Top flange ISO 5211
- Flanges EN 1092-01
- Testing EN-12266, ISO 5208
- Design EN-12516, ISO 17292

Official approvals

- TA-LUFT VDI 2440
- ISO 15848-1
- ATEX 2014/34/EU
- PED 2014/68/EU
- SIL 3 CAPABLE



PEKOS GROUP CERTIFICATES:

ISO 9001: 2015 / 2014/68/EU / API-6D



DIMENSIONS & Technical information

DN	PN	D	L	E	A	B	C	F	H	G	V	X	Y	Z	n x d	ISO 5211	Torque	MAST	Weight
15	16	15	35	95	45	65	16	37	185	102	12	8	14	26	4 x M12	F05	8	37	2
20	16	20	35	105	58	75	18	37	185	102	12	8	14	26	4 x M12	F05	10	37	2
25	16	25	43	115	68	85	18	41	185	106	12	8	14	26	4 x M12	F05	14	37	3
32	16	30	51	140	78	100	18	63	185	117	16	10	19	22	4 x M16	F05	21	80	5
40	16	38	64	150	88	110	18	75	185	129	20	14	22	25	4 x M16	F07	31	80	5
50	16	50	85	165	102	125	20	83	293	137	20	14	22	25	4 x M16	F07	46	175	7
65	16	64	103	185	122	145	18	97	293	152	20	14	22	25	8 x M16	F07	55	175	10
80	16	75	120	200	138	160	20	110	450	185	25	19	24	27	8 x M16	F10	85	363	14
100	16	98	155	220	158	180	20	126	450	199	25	19	24	27	8 x M16	F10	110	363	22

\*\* Depending on service conditions.

\* Dimensions are in mm.

\* Torque & MAST are in Nm.

\* Weight is in Kilograms

\* Torque values have been measured ΔP at maximum rating at room temperature