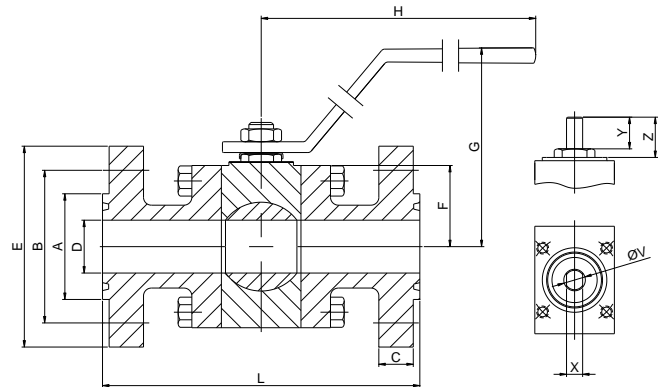
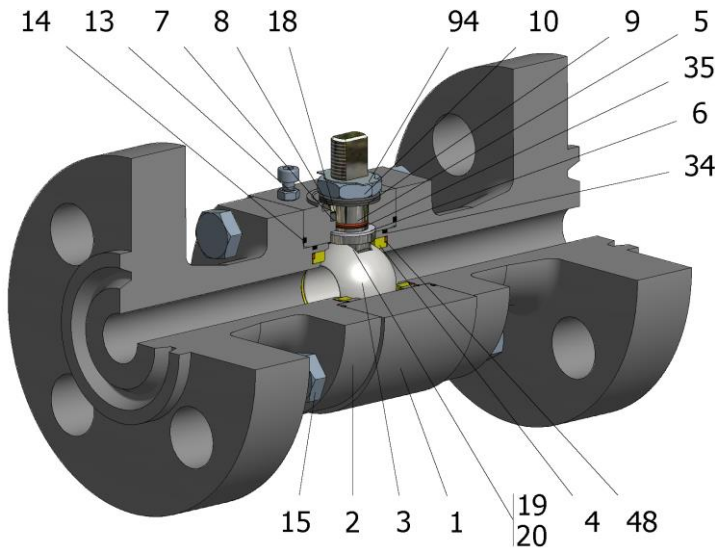


FIG.K 156 NGGVV CL1500 1/2"-2" RTJ



Position	Description	Material
01	Body 1	A182 F316/316L
02	Body 2	A182 F316/316L
03	Ball	A182 F316/316L
04	Seat	DEVLON V
05	Stem	S.S. AISI 316/316L
06	Stem seal	PEEK
07	Stem packing	Graphite
08	Gland packing	S.S. AISI 316
09	Spring washer	S.S. AISI 301
10	Stem nut	S.S. AISI 304
13	Cover bolt	S.S. (316)
14	Body seal 1	Graphite
15	Body bolt	A193 B8M
16	Handle	WCB
18	Thrust washer	PTFE (modified)+CG
19	Spring	S.S. AISI 316
20	Antistatic ball	S.S. AISI 316
34	Body seal 2	FKM
35	O ring stem	FKM
48	O ring spring	FKM
94	Stop washer	S.S. AISI 304

**General features**

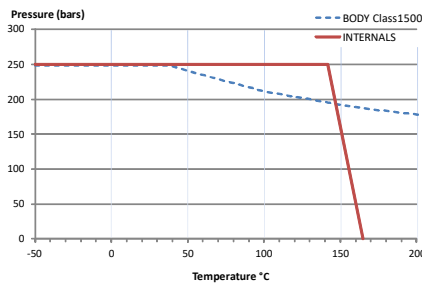
- Floating ball.
- Three pieces.
- Full bore.
- Soft seat.
- Bidirectional.
- Anti Blow out proof stem.
- Autoadjustable packing.
- Anti static device.
- Self-cavity pressure relief.

**Standards**

- Top flange ISO 5211
- Flanges ANSI B16.5
- Face to face ANSI B16.10
- Materials according to NACE MR0175
- Design B16.34
- Testing API 598, BS 6755-1

**Official approvals**

- CERTIFICATE FIRE SAFE
- ATEX 2014/34/EU
- PED 2014/68/EU
- SIL 3 CAPABLE



**PEKOS GROUP CERTIFICATES:**

ISO 9001: 2015 / 2014/68/EU / API-6D



**DIMENSIONS & Technical information**

DN	CL	D	L	E	A	B	C	F	H	G	V	X	Y	Z	n x d	ISO 5211	Torque	MAST	Weight
1/2"	1500	11,1	216	120	60	83	29	31	180	98	12	7,5	10	14	4 x 22	F03	14	34	7
3/4"	1500	15,5	229	130	67	89	32	41	180	108	12	7,5	11	12	4 x 22	F04	29	34	9
1"	1500	21	254	150	71	102	35	46	220	109	15	9	17	21	4 x 25	F05	55	65	12
1 1/4"	1500	34	279	160	81	111	35	63	250	139	22	16	26	33	4 x 25	F07	120	234	22
1 1/2"	1500	34	305	180	92	124	38	63	250	139	22	16	22	33	4 x 29	F07	120	234	23
2"	1500	43	371	215	124	165	47	64	250	140	22	16	18	30	8 x 25	F07	145	234	34

\*\* Depending on service conditions.

\* Dimensions are in mm. \* Torque & MAST are in Nm \* Weight is in Kilograms

\* Torque values have been measured ΔP at maximum rating at room temperature