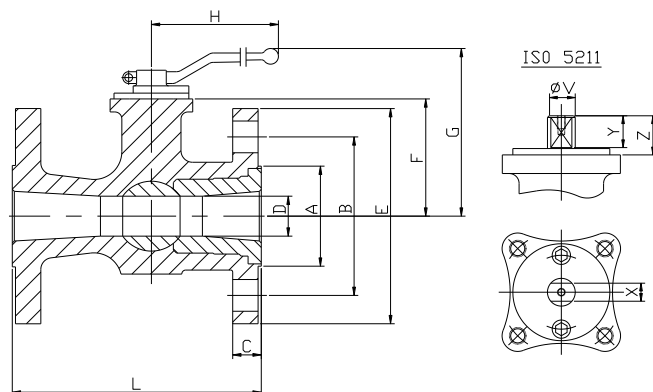
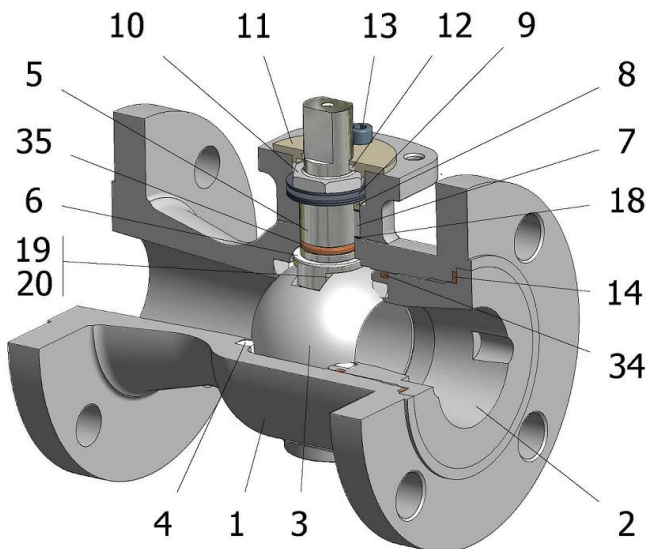


FIG.RB 19 TGGVV CL 150 1/2"-12"



Position	Description	Material
01	Body 1	C.S. A352 LCC
02	Body 2	C.S. A350 LF2
03	Ball	S.S. A351 CF8M
04	Seat	PTFE
05	Stem	S.S. AISI 316
06	Stem seal	PTFE+FG
07	Stem packing	Graphite
08	Gland packing	S.S. AISI 316
09	Spring washer	S.S. AISI 301
10	Stem nut	S.S. AISI 303
11	Cover	S.S. A351 CF8M
12	Cover ring	PTFE
13	Cover bolt	S.S. (316)
14	Body seal 1	Graphite
16	Handle	A351 CF8M/WCB
17	Handle bolt	S.S. (304)/1.045(8.8)
18	Thrust washer	PTFE+CG
19	Spring	S.S. AISI 316
20	Antistatic ball	S.S. AISI 316
34	Body seal 2	FKM
35	O ring stem	FKM

General features

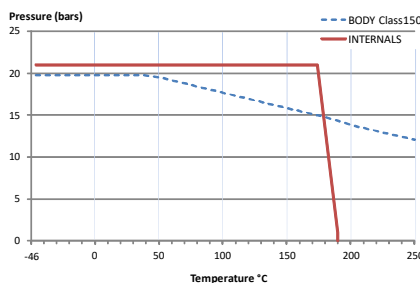
- Floating ball.
- End entry.
- Reduced bore.
- Soft seat.
- Bidirectional.
- Anti Blow out proof stem.
- Autoadjustable packing.
- Anti static device.
- Self-cavity pressure relief.

Standards

- Top flange ISO 5211
- Flanges ANSI B16.5
- Face to face ANSI B16.10
- Testing API 598, API 6D, BS 6755-1
- Design AP 6D, B16.34
- Materials according to NACE MR0175

Official approvals

- CERTIFICATE FIRE SAFE
- TA-LUFT VDI 2440
- ISO 15848-1
- API 6D.
- ATEX 2014/34/EU
- PED 2014/68/EU
- SIL 3 CAPABLE



PEKOS GROUP CERTIFICATES:
ISO 9001: 2015 / 2014/68/EU / API-6D



DIMENSIONS & Technical information

DN	CL	D	L	E	A	B	C	F	H	G	V	X	Y	Z	n x d	ISO 5211	Torque	MAST	Weight
1/2"	150	10	108	89	35	60	11	43	185	91	12	8	13	16	4 x 16	F05	7	36	2
3/4"	150	15	117	98	43	70	13	46	185	94	12	8	13	16	4 x 16	F05	9	36	2
1"	150	20	127	108	51	79	14	54	185	102	12	8	13	16	4 x 16	F05	11	78	3
1 1/2"	150	32	165	127	73	98	18	65	185	115	16	10	19	22	4 x 16	F05	23	78	6
2"	150	40	178	152	92	121	19	75	293	129	20	14	22	25	4 x 19	F07	32	171	9
3"	150	65	203	191	127	152	24	96	293	150	20	14	22	25	4 x 19	F07	62	171	18
4"	150	80	229	229	157	191	24	114	350	187	25	19	24	27	8 x 19	F10	103	354	26
6"	150	111	267	279	216	241	25	148	740	241	34	26	35	38	8 x 22	F12	264	895	46
8"	150	144	292	343	270	298	29	172	740	265	34	26	35	38	8 x 22	F12	400	895	78
10"	150	187	330	406	324	362	30	237	750	330	42	32	40	43	12 x 26	F14	720	1682	123
12"	150	235	356	483	381	432	32	266	-	-	42	32	40	43	12 x 26	F14	1160	1682	190

** Depending on service conditions. * Dimensions are in mm. * Torque & MAST are in Nm * Weight is in Kilograms
* Torque values have been measured ΔP at maximum rating at room temperature