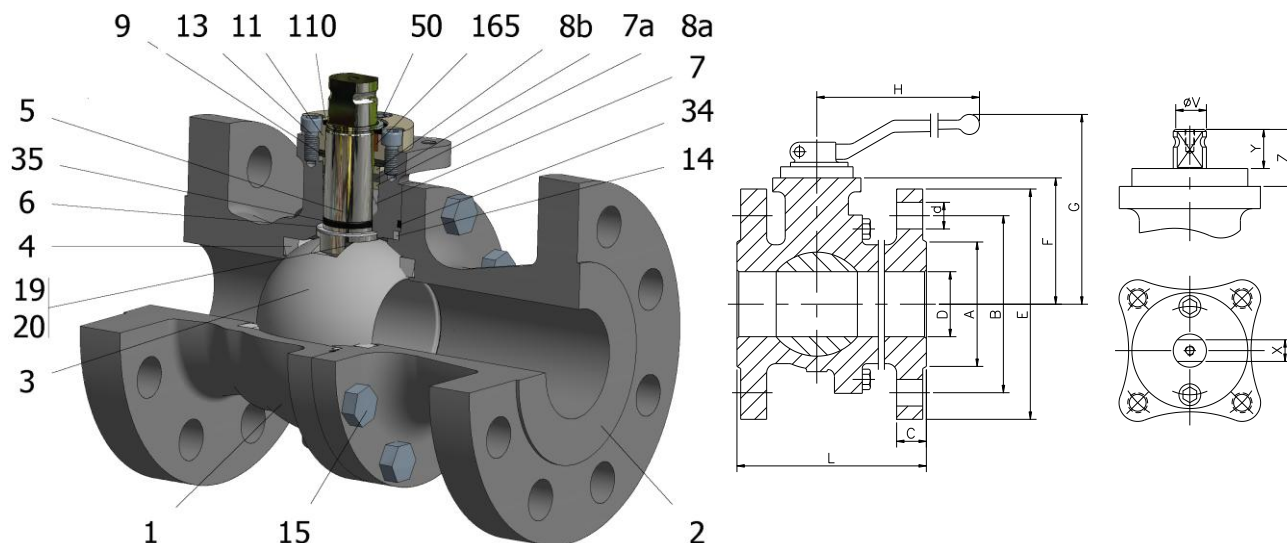


FIG.Z 39 TTTGV CL300 1/2"-4"



Position	Description	Material
01	Body 1	C.S. A352 LCC
02	Body 2	C.S. A352 LCC
03	Ball	S.S. A351 CF8M
04	Seat	PTFE (modified)
05	Stem	S.S. AISI 316
06	Stem seal	PTFE (modified)+FG
07	Stem packing	PTFE (modified)
07a	Stem packing 2	Graphite
08a	Gland packing 1	S.S. AISI 316
08b	Gland packing 2	S.S. AISI 316
09	Spring washer	S.S. AISI 301
11	Cover	S.S. A351 CF8M
13	Cover bolt	S.S. (316)
14	Body seal 1	PTFE (modified)
15	Body bolt	A320 L7M
16	Handle	WCB
17	Handle bolt	1.045(8.8)
19	Spring	S.S. AISI 316
20	Antistatic ball	S.S. AISI 316
34	Body seal 2	Graphite
35	O ring stem	FKM
50	Subjection ring	S.S. AISI 420
110	Subjection ring seal	S.S. AISI 316 Nitrided
165	Stem bearing	PTFE (modified)+FG

General features

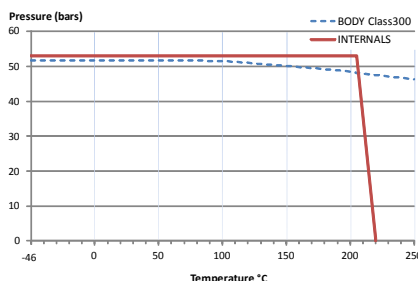
- Floating ball.
- Split body.
- Full bore.
- Soft seat.
- Bidirectional.
- Anti Blow out proof stem.
- Autoadjustable packing.
- Anti static device.
- Self-cavity pressure relief.

Standards

- Top flange ISO 5211
- Flanges ANSI B16.5
- Face to face ANSI B16.10
- Testing API 598, API 6D, BS 6755-1
- Design API 6D, B16.34
- Materials according to NACE MR0175

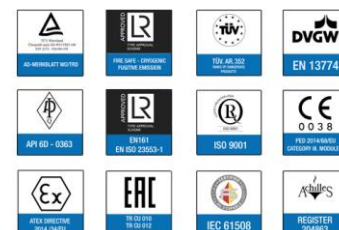
Official approvals

- CERTIFICATE FIRE SAFE TA-LUFT VDI 2440
- ISO 15848-1
- ATEX 2014/34/EU API 6D.
- PED 2014/68/EU SIL 3 CAPABLE
- EN 161/EN ISO 23553-1



PEKOS GROUP CERTIFICATES:

ISO 9001: 2015 / 2014/68/EU / API-6D



DIMENSIONS & Technical information

DN	PN	D	L	E	A	B	C	F	H	G	V	X	Y	Z	n x d	ISO 5211	Torque	MAST	Weight
1/2"	300	15	140	95	35	67	14	45	185	106	14	11	11	13,5	4 x 16	F05	14	42	3
3/4"	300	20	152	115	43	83	16	47	185	108	14	11	11	13,5	4 x 19	F05	16	42	4
1"	300	25	165	125	51	89	18	52	185	113	18	14	17	19,5	4 x 19	F05	19	92	5
1 1/2"	300	40	190	155	73	114	22	75	293	145	22	17	20	30	4 x 22	F07	42	244	10
2"	300	50	216	165	92	127	24	83	293	153	22	17	20	30	8 x 19	F07	70	244	12
2 1/2"	300	65	241	190	105	149	26	96	293	166	22	17	20	30	8 x 22	F07	90	244	19
3"	300	80	282	210	127	168	30	113	450	199	28	22	22	40	8 x 22	F10	150	510	27
4"	300	100	305	255	157	200	33	128	450	221	28	22	22	40	8 x 22	F10	216	510	44

\*\* Depending on service conditions.

\* Dimensions are in mm.

\* Torque & MAST are in Nm.

\* Weight is in Kilograms

\* Torque values have been measured ΔP at maximum rating at room temperature