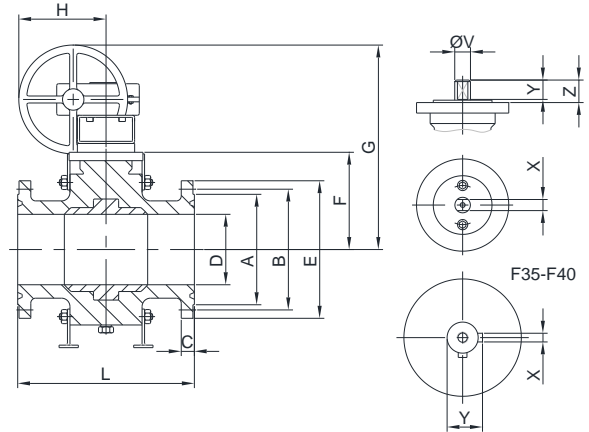
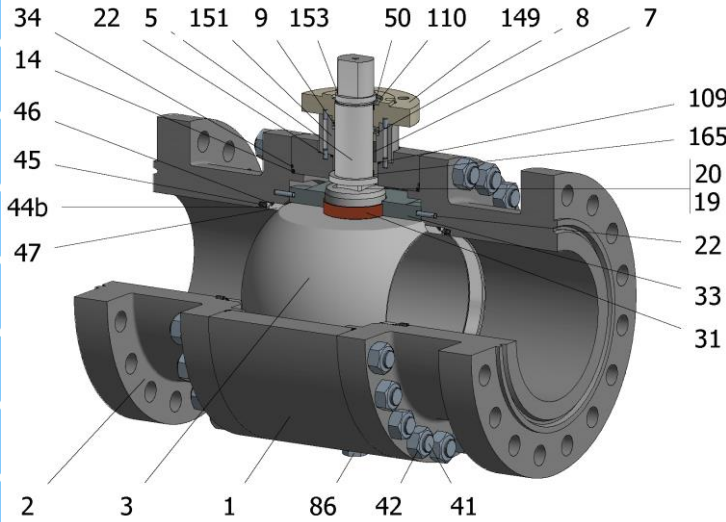


FIG.ZGKMS 909 CGGG CL900 3"-20" RTJ



Position	Description	Material
01	Body 1	C.S. A350 LF2
02	Body 2	C.S. A350 LF2
03	Ball	A182 F316+Cr-Carbide
05	Stem	XM-19
07	Stem packing	Graphite
08	Gland packing	S.S. AISI 316
09	Spring washer	Inconel X718
14	Body seal 1	Graphite
19	Spring	S.S. AISI 316
20	Antistatic ball	S.S. AISI 316
22	Stop pin	S.S. AISI 316
31	Bearing	Carbongraphite
33	Support bearing	S275JR+ENP
34	Body seal 2	Graphite
41	Stud	A320 L7M
42	Nut	A194 7M
44b	Ring seat 1	S.S. AISI 316
45	Spring seat	Inconel X750
46	Seat seal	Graphite
47	Metal seat	AISI 316+Cr-Carbide
50	Subjection ring	S.S. AISI 304
86	Drain plug	C.S. A350 LF2
86a	Vent plug	C.S. A350 LF2
109	Cover seal	Graphite
110	Subjection ring seal	S.S. AISI 316 Nitrided
149	ISO cover	C.S. A350 LF2
151	Body cover 1	C.S. A350 LF2
152	Body cover bolt	S.S. (316)
153	ISO cover bolt	S.S. (316)
165	Stem bearing	Carbongraphite

General features

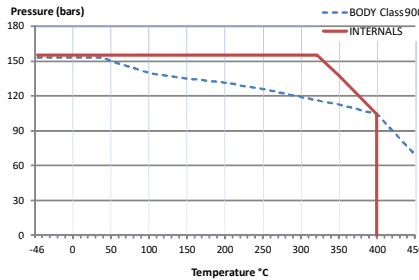
- Full trunnion.
- Three pieces.
- Full bore.
- Metal to Metal.
- Bidirectional.
- Spring loaded seat system.
- Anti Blow out proof stem.
- Autoadjustable packing.
- Anti static device.
- Self-cavity pressure relief.
- Double Block and Bleed.

Standards

- Top flange ISO 5211
- Flanges ANSI B16.5
- Face to face ANSI B16.10
- Testing API 598, API 6D, BS 6755-1
- Design AP 6D, B16.34
- Materials according to NACE MR0175

Official approvals

- CERTIFICATE FIRE SAFE
- TA-LUFT VDI 2440
- ISO 15848-1
- API 6D.
- ATEX 2014/34/EU
- PED 2014/68/EU
- SIL 3 CAPABLE



PEKOS GROUP CERTIFICATES:



DIMENSIONS & Technical information

DN	CL	D	L	E	A	B	C	F	H	G	V	X	Y	Z	n x d	ISO 5211	Torque	MAST	Weight
3"	900	75	384	240	156	191	46	160	271	481	36	27	35	50	8 x 25	F12	1070	1990	105
4"	900	100	460	290	181	280	59	181	271	502	36	27	35	44	8 x 32	F14-1	1670	1990	165
6"	900	150	613	380	241	394	71	229	336	611	48	36	40	63	12 x 32	F16-1	3920	4716	380
8"	900	201	740	470	308	470	78	300	405	648	60	46	60	68	12 x 38	F25-1	6100	9360	640
10"	900	252	841	545	362	533	87	335	430	690	60	46	60	68	16 x 38	F25-1	7740	9360	952
12"	900	303	968	610	419	559	94	400	430	755	72	55	70	83	20 x 38	F25	9175	16131	1312
14"	900	322	1039	640	467	616	100	460	532	869	98	75	100	106	20 x 41	F30	15610	40732	1595
16"	900	373	1140	705	524	686	112	530	**	**	120	32	127	200	20 x 44	F35	20775	24624	1962
18"	900	423	1232	785	594	749	121	540	**	**	120	32	127	200	20 x 51	F35	32605	24624	2755
20"	900	471	1334	855	648	902	152	650	**	**	180	45	190	200	20 x 54	F40	45610	54150	3752