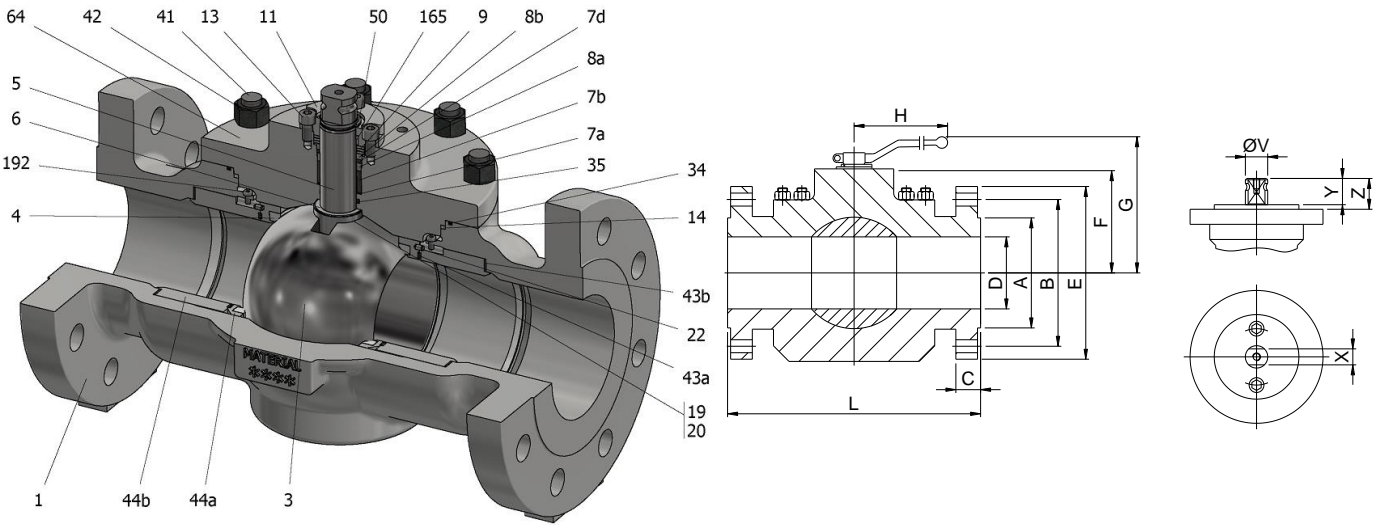


FIG.ZTE 64 SSSGV CL600 1"-2"



Position	Description	Material
01	Body 1	C.S. A216 WCC
03	Ball	S.S. A351 CF8M
04	Seat	PTFE (modified)+CG
05	Stem	S.S. AISI 316
06	Stem seal	PTFE (modified)+CG
07a	Stem packing 1	PTFE (modified)+CG
07b	Stem packing 2	Graphite
07d	Stem packing 3	Graphite
08a	Gland packing 1	S.S. AISI 316
08b	Gland packing 2	S.S. AISI 316
09	Spring washer	S.S. AISI 301
11	Cover	S.S. A351 CF8M
13	Cover bolt	S.S. (316)
14	Body seal 1	PTFE (modified)+CG
16	Handle	S.S. A351 CF8M
17	Handle bolt	S.S. (304)
19	Spring	S.S. AISI 316
20	Antistatic ball	S.S. AISI 316
22	Stop pin	S.S. AISI 316
34	Body seal 2	Graphite
35	Stem O ring	FKM
41	Stud	A320 L7M
42	Nut	A194 7M
43a	Seat seal 1	Graphite+AISI 316
43b	Seat seal 2	Graphite+AISI 316
44a	Ring seat 1	S.S. AISI 316
44b	Ring seat 2	S.S. AISI 316
50	Subjection ring	S.S. AISI 316
64	Body cover	C.S. A216 WCC
165	Stem bearing	PTFE (modified)+FG
192	Positioner bolt	S.S. (316)

General features

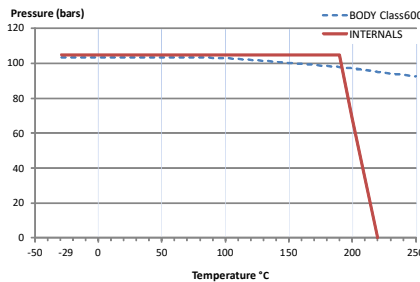
- Floating ball.
- Top entry
- Full bore.
- Soft seat.
- Bidirectional.
- Anti Blow out proof stem.
- Anti static device.
- Self-cavity pressure relief.
- Allows in-line maintenance

Standards

- Top flange ISO 5211
- Flanges ANSI B16.5
- Face to face ANSI B16.10
- Testing API 598, API 6D, BS 6755-1
- Design API 6D, B16.34
- Materials according to NACE MR0175

Official approvals

- CERTIFICATE FIRE SAFE
- TA-LUFT VDI 2440
- ISO 15848-1
- API 6D.
- ATEX 2014/34/EU
- PED 2014/68/EU
- SIL 3 CAPABLE



PEKOS GROUP CERTIFICATES:



DIMENSIONS & Technical information

DN	CL	D	L	E	A	B	C	F	H	G	V	X	Y	Z	n x d	ISO 5211	Torque	MAST	Weight
1"	600	25	216	125	51	89	25	67	185	124	18	14	17	19,5	4 x 19	F05	48	92	10
1 1/4"	600	32	229	135	64	98	28	71	185	128	18	14	17	19,5	4 x 19	F05	73	92	13
1 1/2"	600	40	241	155	73	114	30	87	293	157	22	17	20	30	4 x 22	F07	108	244	18
2"	600	50	292	165	92	127	33	95	293	165	22	17	20	30	8 x 19	F07	187	244	26

** Depending on service conditions.

* Dimensions are in mm.

* Torque & MAST are in Nm

* Weight is in Kilograms

* Torque values have been measured ΔP at maximum rating at room temperature