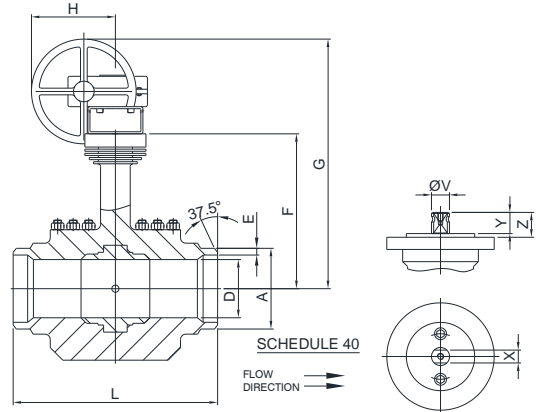
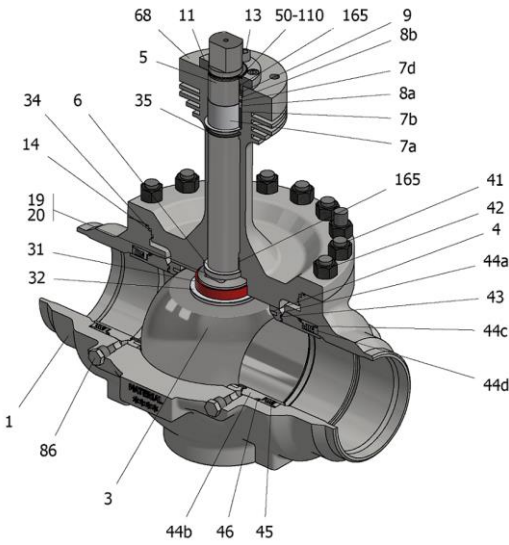


FIG.ZTEFGOSU 66 KTTGN CL600 6"-12" BW (Sch.40)



Position	Description	Material
01	Body 1	S.S. A351 CF8M
03	Ball	S.S. A351 CF8M
04	Seat	PTCFE
05	Stem	XM-19
06	Stem seal	PTCFE
07a	Stem packing 1	PTFE (modified)
07b	Stem packing 2	Graphite
07d	Stem packing 3	Graphite
08a	Gland packing 1	S.S. AISI 316
08b	Gland packing 2	S.S. AISI 316
09	Spring washer	S.S. AISI 301
11	Cover	S.S. A351 CF8M
13	Cover bolt	S.S. (316)
14	Body seal 1	PTFE (modified)
19	Spring	S.S. AISI 316
20	Antistatic ball	S.S. AISI 316
31	Bearing	MU-316
32	Bearing disk	PTFE (modified)+FG
34	Body seal 2	Graphite
35	Stem O ring	NBR
41	Stud	A320 B8M
42	Nut	A194 8M
43	Seat seal	Graphite+AISI 316
44a	Ring seat 1	S.S. AISI 316
44b	Ring seat 2	S.S. AISI 316
44c	Ring seat 3	S.S. AISI 316
44d	Ring seat 4	S.S. AISI 316
45	Spring	Inconel X750
46	Seat seal	Graphite
50	Subjection ring	S.S. AISI 420
68	Extension cover	S.S. A351 CF8M
86	Plug	S.S. AISI 316
110	Subjection ring seal	S.S. AISI 316 Nitrided
165	Stem bearing	MU-316

General features

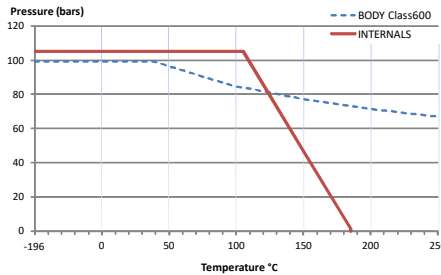
- Full trunnion.
- Top entry
- Full bore.
- Soft seat.
- Unidirectional.
- Spring loaded seat system.
- Anti Blow out proof stem.
- Anti static device.
- Self-cavity pressure relief.
- Double Block and Bleed.
- Cryogenic.
- Degreased
- Allows in-line maintenance

Standards

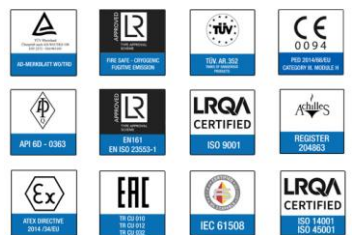
- Top flange ISO 5211
- Buttwelding ends B16.25
- Face to face ANSI B16.10
- Testing API 598, API 6D, BS 6755-1
- Design API 6D, B16.34
- Materials according to NACE MR0175

Official approvals

- CERTIFICATE FIRE SAFE
- TA-LUFT VDI 2440
- ISO 15848-1
- ATEX 2014/34/EU
- API 6D.
- PED 2014/68/EU
- SIL 3 CAPABLE



PEKOS GROUP CERTIFICATES:



DIMENSIONS & Technical information

DN	CL	D	L	E	A	B	C	F	H	G	V	X	Y	Z	n x d	ISO 5211	Torque	MAST	Weight
6"	600	150	559	7,11	168,3	-	-	438	436	816	48	36	40	63	- x -	F14	1490	4716	186
8"	600	201	660	8,18	219,1	-	-	477	461	782	48	36	40	63	- x -	F16-1	2350	4716	321
10"	600	252	787	9,27	273	-	-	508	461	813	48	36	40	63	- x -	F16-1	2975	4716	457
12"	600	303	838	10,31	323,8	-	-	541	461	846	72	55	70	83	- x -	F25	3550	16131	670

** Depending on service conditions.

* Dimensions are in mm.

* Torque & MAST are in Nm

* Weight is in Kilograms

* Torque values have been measured ΔP at maximum rating at room temperature