

 **Pekos**
Ball Valves

www.pekosvalves.com


Industrial Refrigeration



Making excellence
something personal

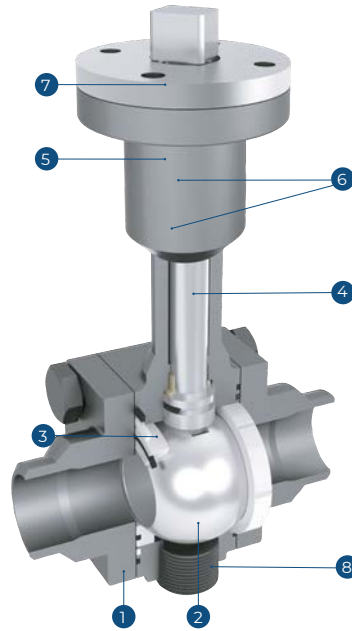
Pekos Ball Valve for industrial refrigeration. Effortless operation and minimal pressure drop.

Designed for refrigeration installations using different types of refrigerants. Industrial refrigeration is crucial for maintaining operations across a variety of sectors, including food processing, storage and logistics centers. These are highly specialized systems that maintain controlled temperatures to ensure both the quality of stored products and operational efficiency. Pekos guarantees durability, sealing, control and ease of maintenance.

 Temperature Range:
From -40°C up to +150°C.

Materials

ITEM	DESCRIPTION
1	BODY
2	BALL
3	SEAT
4	STEM
5	PACKING
6	O-RING
7	SPRING WASHER
8	DRAIN PLUG



Size & Rating

ZEF3KUV806 / 809 TTTGE

SIZE	RATING
DN15-80	PN40
1/2"-3"	CL300

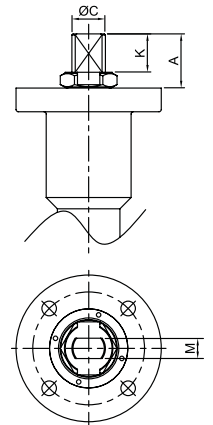
Automation Values

Breakaway Torque (Nm)

NPS	DN	PN40	CL300
1/2"	15	8	8
3/4"	20	12	13
1"	25	18	19
1 1/4"	32	20	21
1 1/2"	40	23	25
2"	50	36	39
2 1/2"	65	52	60
3"	80	64	74

Top flange ISO 5211

NPS F.B	NPS R.B	ISO5211	M	ØC	A	K
1/2"	3/4"	F05	5,5	10	10	8
3/4"	1"	F05	7,5	12	18	12
1"	1 1/4"	F05	7,5	12	18	12
1 1/4"	1 1/2"	F05	9	15	24	17
1 1/2"	2"	F05	9	15	24	17
2"	2 1/2"	F05	9	15	24	17
2 1/2"	3"	F07	16	22	28	18
3"	4"	F07	18	24	37	19

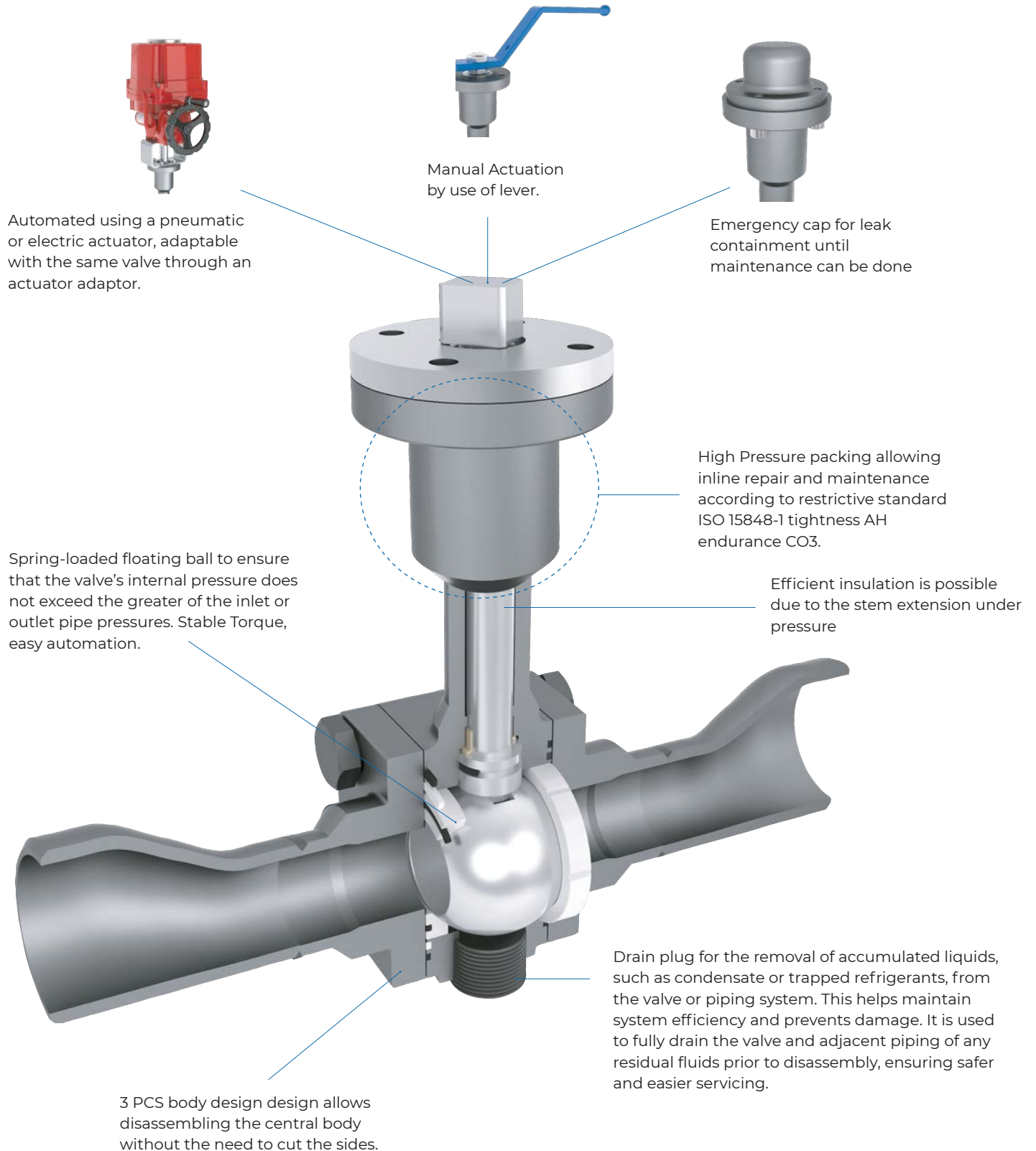


Kv Values (m3/h)

NPS	1/2"	3/4"	1"	1 1/4"	1 1/2"	2"	2 1/2"	3"
DN	15	20	25	32	40	50	65	80
F.B	16	32	42	78	102	230	385	590
R.B	10	18	36	45	80	118	235	395

Design Advantages

The minimal pressure drop translates to energy savings. The design minimizes the risk of fluid accumulation and liquid slugging. Without gearing in the refrigerant fluid—often contaminated with dirt, debris, and other particles—these ball valves are capable of safe operation with most refrigerants.





Industrial Refrigeration



FIRE - SAFE



TA Luft
ISO 15848-1



ATEX DIRECTIVE
2014/34/EU



PED 2014/68/EU
CATEGORY III.
MODULE H



IEC 61508

