

# Ball Valve **WAFER**



# Wafer

**Wafer Ball Valve** are designed for compact installation between flanges, enabling efficient on/off flow control with minimal pressure drop. Their body and full bore design ensure unobstructed product passage, making them suitable for a wide range of industrial applications

## General Features

- Floating ball
- End entry
- Full bore
- Soft seat
- Bidirectional
- Anti Blow out proof stem
- Autoadjustable packing
- Anti static device
- Self-cavity pressure relief
- Face to Face Wafer type

## Standards DIN

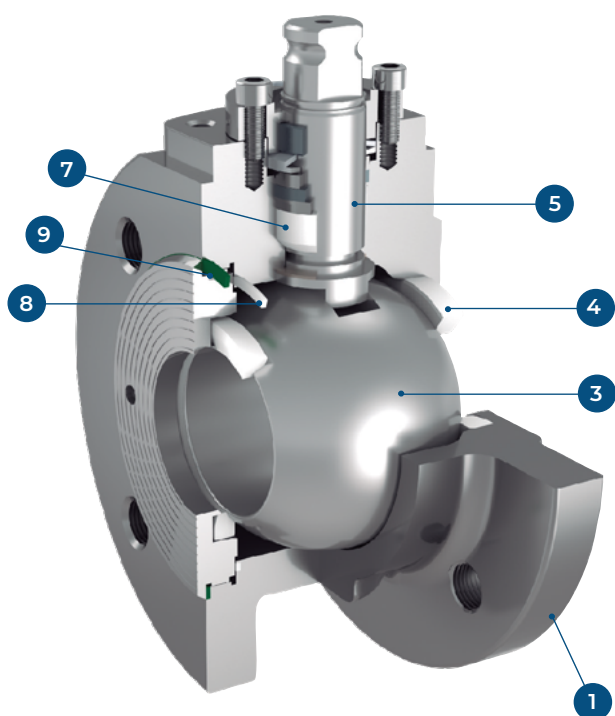
- Top flange ISO 5211
- Flanges EN 1092-1
- Testing EN-12266, ISO 5208
- Design EN-12516, ISO 17292, DIN 28140
- Face to Face UNE-EN 558 (serie 100)

## Standards ANSI

- Top flange ISO 5211
- Flanges ANSI B16.5
- Testing API 598, BS 6755-1
- Design B16.34
- Materials according to NACE MR0175

## Official Approvals

- CERTIFICATE FIRE SAFE
- TA-LUFT VDI 2440
- ISO 15848-1
- ATEX 2014/34/EU
- PED 2014/68/EU
- SIL 3 CAPABLE



## Range

DN15-100	PN10-16
DN15-80	PN25-40
CL150	1/2" - 4"

## Materials

		ANSI		DIN	
		CARBON STEEL	STAINLESS STEEL	CARBON STEEL	STAINLESS STEEL
1	<b>BODY</b>	A216 WCC / A 105	A351 CF8M / AISI 316	1.0619 / 1.0352	1.4408 / 1.4401
3	<b>BALL</b>	A351 CF8M		1.4408	
4	<b>SEAT</b>	PTFE (Mod)		PTFE (Mod)	
5	<b>STEM</b>	AISI 316		1.4401	
7	<b>STEM PACKING</b>	PTFE (Mod)		PTFE (Mod)	
8	<b>BODY SEAL 1</b>	PTFE (Mod)		PTFE (Mod)	
9	<b>BODY SEAL 2</b>	Graphite		Graphite	