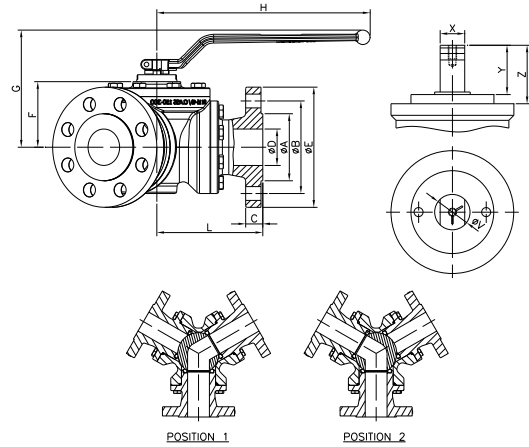
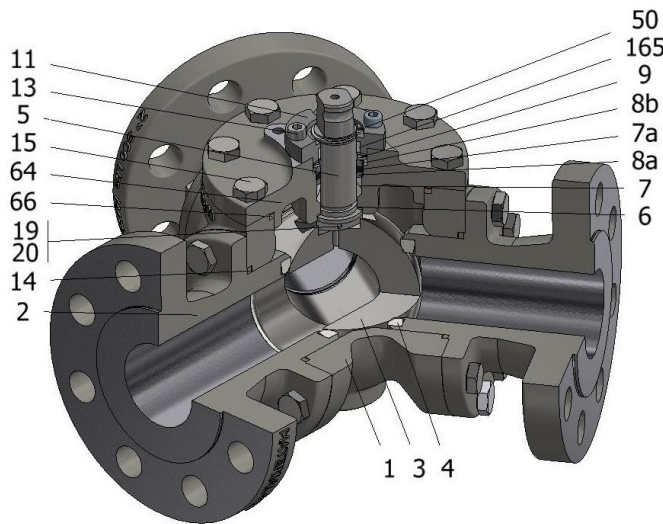


FIG. Z 84 TTT CL150 1"-8"Y Type 120°



Position	Description	Material
01	Body 1	C.S. A216 WCC
02	Body 2	C.S. A216 WCC
03	Ball	S.S. A351 CF8M
04	Seat	PTFE (modified)
05	Stem	S.S. AISI 316
06	Stem seal	PTFE (modified)+FG
07a	Stem packing 1	PTFE (modified)
07a	Stem packing 2	Graphite
08a	Gland packing 1	S.S. AISI 316
08b	Gland packing 2	S.S. AISI 316
09	Spring washer	S.S. AISI 301
11	Cover	S.S. A351 CF8M
13	Cover bolt	S.S. (316)
14	Body seal 1	PTFE (modified)
15	Body bolt	A193 B7M
19	Spring	S.S. AISI 316
20	Ball	S.S. AISI 316
50	Subjection ring	S.S. AISI 304
64	Body cover extension	C.S. A216 WCB
66	Body cover seal	PTFE (modified)
165	Stem bearing	PTFE (modified)+FG

General features

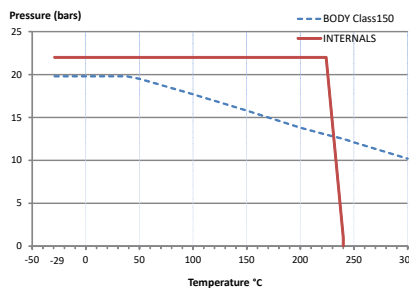
- Floating ball.
- Split body.
- Full bore.
- Soft seat.
- Three way.
- Anti Blow out stem.
- Autoadjustable packing.
- Anti static device.
- Self-cavity pressure relief.

Standards

- Top flange ISO 5211
- Flanges EN 1092-01
- Testing EN-12266, ISO 5208
- Design EN-12516, ISO 17292

Official approvals

- TA-LUFT VDI 2440
- ISO 15848-1
- ATEX 2014/34/EU
- PED 2014/68/EU
- SIL 3 CAPABLE



PEKOS GROUP CERTIFICATES:

ISO 9001: 2015 / 2014/68/EU /API-6D



DIMENSIONS & Technical information

DN	CL	D	L	E	A	B	C	F	H	G	V	X	Y	Z	n x d	ISO 5211	Torque	MAST	Weight
1"	150	25	115	108	51	79,4	14	66	185	122	18	14	17	19,5	4 x 16	F05	29	92	11
1 1/2"	150	40	130	127	73	98,4	16	87,5	293	158	22	17	20	30	4 x 16	F07	58	244	20
2"	150	50	145	150	92	120,6	17	90	293	160	22	17	20	30	4 x 19	F07	86	244	25
2 1/2"	150	65	170	178	105	139	19	109	450	203	28	22	22	40	4 x 19	F10	112	510	43
3"	150	80	190	190	127	152,4	21	131,5	740	240	36	27	35	50	4 x 19	F12	185	1047	63
4"	150	100	215	229	157	190,5	25	151	740	260	36	27	35	50	8 x 19	F12	260	1047	96
6"	150	150	240	280	216	241,3	27	216	-	-	48	36	40	63	8 x 22	F14	720	2482	161
8"	150	201	300	345	270	298	30	258	-	-	48	36	36	63	8 x 22	F14	1296	2482	305

** Depending on service conditions.

* Dimensions are in mm.

* Torque & MAST are in Nm

* Weight is in Kilograms

* Torque values have been measured ΔP at maximum rating at room temperature