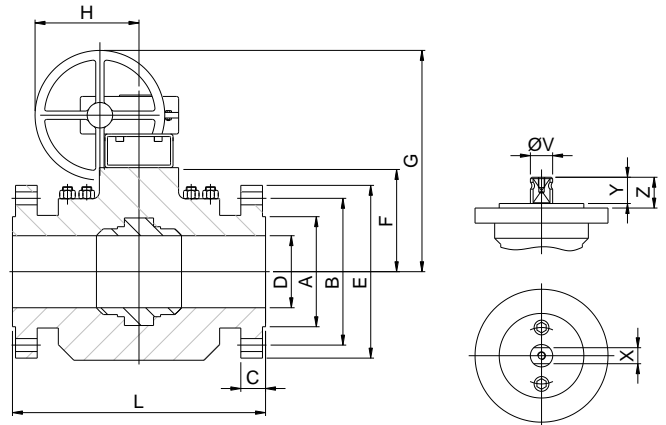
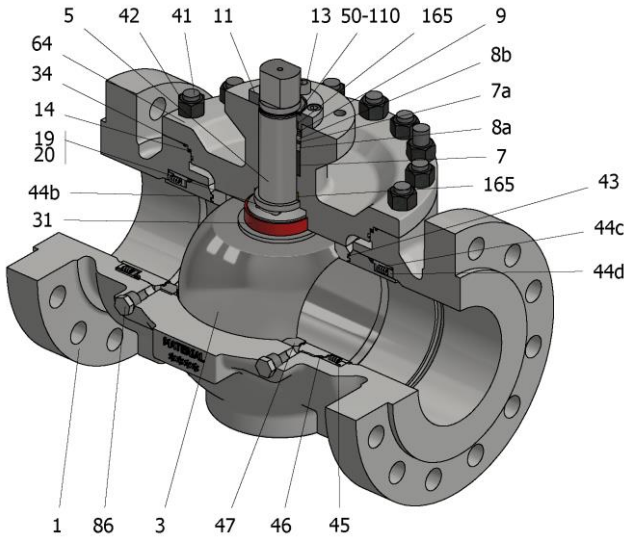


FIG.ZTEGMS 16 CGGG CL150 6"-12"



Position	Description	Material
01	Body 1	S.S. A351 CF8M
03	Ball	AISI 316+Cr-Carbide
05	Stem	XM-19
07	Stem packing	Graphite
07a	Stem packing 2	Graphite
08a	Gland packing 1	S.S. AISI 316
08b	Gland packing 2	S.S. AISI 316
09	Spring washer	Inconel X718
11	Cover	A351 CF8M/AISI 316
13	Cover bolt	S.S. (316)
14	Body seal 1	Graphite
19	Spring	S.S. AISI 316
20	Antistatic ball	S.S. AISI 316
31	Bearing	Carbongraphite
34	Body seal 2	Graphite
41	Stud	A320 B8M
42	Nut	A194 8M
43	Seat seal	Graphite+AISI 316
44b	Ring seat 2	S.S. AISI 316
44c	Ring seat 3	S.S. AISI 316
44d	Ring seat 4	S.S. AISI 316
45	Spring	Inconel X750
43	Seat seal	Graphite
47	Metal seat	S.S. AISI 316
50	Subjection ring	S.S. AISI 420
64	Body cover	S.S. A351 CF8M
86	Plug	S.S. AISI 316
110	Subjection ring seal	S.S. AISI 316 Nitrided
165	Stem bearing	Carbongraphite

General features

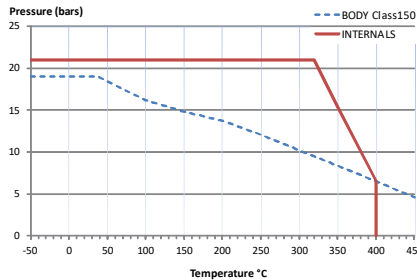
- Full trunnion.
- Top entry
- Full bore.
- Metal to Metal.
- Bidirectional.
- Spring loaded seat system.
- Anti Blow out proof stem.
- Anti static device.
- Self-cavity pressure relief.
- Double Block and Bleed.
- Allows in-line maintenance

Standards

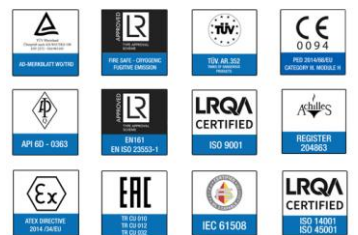
- Top flange ISO 5211
- Flanges ANSI B16.5
- Face to face ANSI B16.10 (CLASS 600)
- Testing API 598, API 6D, BS 6755-1
- Design API 6D, B16.34
- Materials according to NACE MR0175

Official approvals

- CERTIFICATE FIRE SAFE
- TA-LUFT VDI 2440
- ISO 15848-1
- ATEX 2014/34/EU
- API 6D.
- PED 2014/68/EU
- SIL 3 CAPABLE



PEKOS GROUP CERTIFICATES:



DIMENSIONS & Technical information

DN	CL	D	L	E	A	B	C	F	H	G	V	X	Y	Z	n x d	ISO 5211	Torque	MAST	Weight
6"	150	150	559	280	216	241	26	223	271	544	36	27	35	50	8 x 22	F12	1150	1990	160
8"	150	201	660	345	270	299	29	279	336	661	48	36	40	63	8 x 22	F14	1795	4716	280
10"	150	252	787	405	324	362	31	310	336	647	48	36	40	63	12 x 25	F16-1	2410	4716	375
12"	150	303	838	485	381	432	33	358	355	656	60	46	60	73	12 x 25	F16	2985	9360	550

** Depending on service conditions.

* Dimensions are in mm.

* Torque & MAST are in Nm

* Weight is in Kilograms

* Torque values have been measured ΔP at maximum rating at room temperature